

**SCCA PRODUCTION
CAR
SPECIFICATIONS**

1981 EDITION

CLASS C-H (CONTINUED)

MG MIDGET-YENKO STINGER

1981

PRODUCTION CAR SPECIFICATIONS

INDEX

Official weight listed are *absolute minimums* (minus 5% included).

Official track dimensions are *absolute maximum* (2" allowed plus 3% included).

Official rim widths are *absolute maximum* (1.5" allowed included).

Class C

	Page
Alfa Romeo Giulia TZ	6
Alfa Romeo Montreal	12
Datsun 240Z, 260Z and 280Z thru 1977	24
Datsun 280ZX	25
Datsun 280Z 2+2	26
*Ferrari 308 GTB	31
*Ferrari 365 GTB	32
Jaguar XK-E 3.8 & 4.2 Coupe & Roadster	43
Lotus Esprit	51
Mazda RX-7	52
Morgan Super Sport	64
Porsche 911 T, E, S Coupe/Targa 1969-1977	72
Porsche 914-6	78
Porsche 924 Turbo	79
Sunbeam Tiger 260	82
Triumph TR-8	93
Triumph TR-6 (F.I.)	95

Class D

	Page
Alfa Romeo Spider 2000 & Veloce thru 1977	11
Austin-Healey 3000 MK I, II, III	19
Daimler SP-250	20
Datsun SRL 311U	23
Elva Courier MK III 1800 & MK IV 1800	29
Elva Courier MK IV T Roadster & Coupe	30
Jaguar XK 120, 140, 150, 3.4 & 3.8	42
Jensen-Healey & GT	44
Lotus Super Seven	46
Lotus Seven Series Four	47

*Lotus Elan 1600, S-2, S-4, Roadster, Coupe, Drophead	48
*Lotus Europa Twin Cam	50
#Mazda RX-7	53
MGC & MGC-GT	60
Porsche 924	69
Porsche Carrera 1500, 1600	70
Porsche 911, L, T, S Coupe/Targa thru 1968, 911 T & Targa 1969 (Carb version only)	71
Porsche 914S	77
Triumph GT-6, GT-6+	86
Triumph GT-6, MK III thru 1972	87
Triumph GT-6, MK III 1973-1974	88
Triumph TR-250, TR-6 (SU)	92
Triumph TR-7	94
TVR MK III 1800	99
Yenko Stinger Coupe	101

Class E

Alfa Romeo Giulia Spider Veloce	7
Alfa Romeo Giulia Sprint & GTC	8
Alfa Romeo spider Duetto & 1750 Spider thru 1971	10
Austin-Healey BN 4, BN 6 (100-6)	18
Elva Courier MK I, II, III, 1622	27
Elva Courier MK IV, 1622	28
Fiat 124 Sport Spider 1600 (2 carburetor) & Fiat 124 Spider 2000	38
Lotus Mark 46, 54, 65 Europa	49
MGB & MGB-GT	59
Morgan +4	63
Opel GT 1900 Model 17	66
Porsche 356A, B, C, 1500 & 1600, C/1600 SC, B Super 90 and Cabriolet	68
Porsche 912 Coupe/Targa thru 1968	73
Porsche 912 Coupe/Targa 1969	74
Porsche 912 E	75
Porsche 914/4	76
Triumph TR-2, 3, 3B	89
Triumph TR-4, TR-4A	90
Triumph TR-4A, IRS	91
TVR MK III 1622	98

Class F

Alfa Romeo Giulietta, Super Sprint & Spider	1
Alfa Romeo Giulietta, Sprint Speciale & Zagato	2

Alfa Romeo Giulia Sprint & Spider	9
Alpine A-110 1100	13
Austin-Healey Sprite MK IV 1275	16
Austin-Healey BN1, BN2 (100-4, 100M)	17
Fiat 124 Sport Spider thru 1977	36
Fiat XI/9 1500 (w/5 Speed)	37
Fiat Abarth OT 1300/124 Coupe	40
#Ford Escort Exp/Lynx LN 7	41
Lotus 7+7 America	45
MG Midget MK III & IV 1275 1500	56
Morgan 4/4 MK V	62
Saab Sonett V-4, 97 Sonett III	80
Sunbeam Alpine	81
Triumph Spitfire MK III 1296	84
Triumph Spitfire MK IV and 1500	85
Turner 1500	97
Volvo P1800, 1800 & 1800 ES Sports Coupe	100

Class G

Alfa Romeo Giulietta Sprint & Spider	3
Alfa Romeo Spider 1300 Junior	4
Alfa Romeo Junior Z	5
Austin-Healey Sprite 1100, AN8 1100	15
Datsun SPL 310 U	21
Datsun SPL 311 & 311 U	22
Fiat X 1/9	34
Fiat 124 Spider, 1438	35
MG Midget AN 2, AN 3	55
MGA 1500, 1600, 1622	57
MGA Twin Cam	58
Porsche 1300	67
Triumph Spitfire, MK II	83
Turner 950 S	96

Class H

Austin-Healey Sprite MK I & II, 948	14
Fiat 850 Spider Racer thru 1973	33
Fiat 850S Record Monza, 750 GT, 750 Mille Miglia	39
MG Midget 948	54
Morgan 4/4 MK IV	61
Opel GT 1100	65

#New Car

*Class Change

Manufacturer: British Leyland
Model: MG Midget AN2, AN3

Class: G

ENGINE

Manufacturer BLMI
Type OHV, 4 cyl. inline
Bore x stroke 2.54" x 3.30"
Capacity 1098 cc
Head material C.I.
Block material C.I.
Valve head dia:
 Intake 1.22"
 Exhaust 1.00"
Induction system Two 1.25" SU

TRANSMISSION AND DRIVE TRAIN

Clutch Diameter: 7.25"

Gearbox

No. speeds forward: 4

Ratios:

	Std.	Alt.	Alt.	Alt.	Alt.	Alt.
1.	3.20	3.63	2.93	2.57		
2.	1.92	2.37	1.75	1.72		
3.	1.36	1.4	1.24	1.26		
4.	1.00	1.00	1.00	1.00		
5.						

Overdrive

Make & Model: None

Ratio

Final Drive Ratios: 3.73, 4.22, 4.55, 4.88, 5.125, 5.38

CHASSIS

Wheelbase 80.8"
Track dimension, Front 50.2"
Track dimension, Rear 48.7"
Wheel diameter 13"
Rim width 5.5"

BRAKES

Front:

Standard

8.2" disc

Alternate

Rear:

7.0" drum

Alternate

WEIGHT & CAPACITIES

Official weight: 1392 lbs. Std. fuel tank capy: 7 gal.
7 gal. Aux.

ALTERNATE SPECIFICATIONS

Battery tray may be removed

Manufacturer: British Leyland
 Model: MG Midget Mk III, IV and 1500

Class: F

ENGINE

Manufacturer	BLMI	or	BLMI
Type	OHV, 4 cyl. inline		OHV, 4 cyl. inline
Bore x stroke	2.78" x 3.20"		73.66mm (2.90") x 87.38mm (3.44")
Capacity	1275 cc		1491.2 cc
Head material	C.I.		C.I.
Block material	C.I.		C.I.
Valve head dia:			
Intake	1.31"		1.44"
Exhaust	1.16"		1.17"
Induction system	Two 1.25" SU HS2 or two 1.50" SU		One 1.5" Zenith CD 4 or One 1.5" Stromberg SD

TRANSMISSION AND DRIVE TRAIN

Clutch Diameter: 6.5"

Gearbox

No. speeds forward: 4

Ratios:

	Std.	Alt.	Alt.	Alt.	Alt.	Alt.
1.	3.20	3.63	2.93	2.57	3.41	2.65
2.	1.92	2.37	1.75	1.72	2.13	1.78
3.	1.36	1.41	1.24	1.26	1.44	1.25
4.	1.00	1.00	1.00	1.00	1.00	1.00
5.						

Overdrive

Make & Model: None

Ratio

Final Drive Ratios: 4.22, 4.55, 4.88, 5.13, 5.38, 3.73, 3.91

CHASSIS

Wheelbase	80.0"
Track dimension, Front	50.2"
Track dimension, Rear	48.7"
Wheel diameter	13"
Rim width	6"

BRAKES

	standard	Alternate	Alternate
Front:	8.3" disc	9.12" disc	
Rear:	7.0" drum		

WEIGHT & CAPACITIES

Official weight:	Std. fuel tank capy: 7.2 gal.
1275 — 1404 lbs.; 1500 — 1520 lbs.	7.3 gal. Aux.

Note: Roll Bars meeting requirements for cars under 1500 lbs. are acceptable

Note: Parts may not be interchanged between engine units

ALTERNATE SPECIFICATIONS

Alternate intake manifold for 1275 — #NPN 500

9.125" disc — #208715

56 Calipers — #27H, 27H-4651

Battery tray may be removed

1/1/81

Manufacturer: British Leyland
Model: MG-A 1500, 1600 & 1622

Class: G

ENGINE

Manufacturer BLM
Type OHV, 4 cyl. inline
Bore x stroke 2.88" x 3.50" or 2.97" x 3.50" or 3.00" x 3.50"
Capacity 1469 cc or 1588 cc or 1622 cc
Head material C.I.
Block material C.I.
Valve head dia:
 Intake 1.56" or 1.50"
 Exhaust 1.34" or 1.28"
 Induction system Two 1.5" SU

TRANSMISSION AND DRIVE TRAIN

Clutch Diameter: 8"

Gearbox

No. speeds forward: 4

Ratios:

	Std.	Alt.	Alt.	Alt.	Alt.	Alt.
1.	3.64	2.45				
2.	2.21	1.62				
3.	1.37	1.27				
4.	1.00	1.00				
5.						

Overdrive

Make & Model: None

Ratio

Final Drive Ratios: 3.9, 4.1, 4.3, 4.55, 4.88, 5.13

CHASSIS

Wheelbase 94.0"
Track dimension, Front 51.0"
Track dimension, Rear 52.3"
Wheel diameter 15"
Rim width 5.5"

BRAKES

	Standard	Alternate	Alternate
Front:	11" disc	10" drum	
Rear:	10" drum		

WEIGHT & CAPACITIES

Official weight: 1781 lbs. Std. fuel tank capy: 12 gal.
25 or 18 or 20 gal. Alt.

ALTERNATE SPECIFICATIONS

4 wheel disc brakes

Manufacturer: British Leyland
Model: MG-A Twin Cam

Class: G

ENGINE

Manufacturer BLM
Type DOHC, 4 cyl. inline
Bore x stroke 2.97" x 3.50"
Capacity 1588 cc
Head material Alum.
Block material C.I.
Valve head dia:
 Intake 1.59"
 Exhaust 1.44"
 Induction system Two 1.75" SU

TRANSMISSION AND DRIVE TRAIN

Clutch Diameter: 8"

Gearbox

No. speeds forward: 4

Ratios:

	Std.	Alt.	Alt.	Alt.	Alt.	Alt.
1.	3.64	2.54				
2.	2.21	1.62				
3.	1.37	1.27				
4.	1.00	1.00				
5.						

Overdrive

Make & Model: None

Ratio

Final Drive Ratios: 3.9, 4.1, 4.3, 4.55, 4.88, 5.13

CHASSIS

Wheelbase 94.0"
Track dimension, Front 51.0"
Track dimension, Rear 52.3"
Wheel diameter 15"
Rim width 5.5"

BRAKES

	Standard	Alternate	Alternate
Front:	11" disc		
Rear:	11" disc		

WEIGHT & CAPACITIES

Official weight: 1999 lbs. Std. fuel tank capy: 12 gal.
18 or 20 or 25 gal. Alt.

ALTERNATE SPECIFICATIONS

Manufacturer: British Leyland
Model: MGB & MGB-GT

Class: E

ENGINE

Manufacturer BLMi
Type OHV, 4 cyl. inline
Bore x stroke 3.16" x 3.50"
Capacity 1798 cc
Head material C.I.
Block material C.I.
Valve head dia:
 Intake 1.57" or 1.63"
 Exhaust 1.35"
 Induction system Two 1.5" SU HS-4 — 1805 lbs. or
 Two 2.0" SU — 1852 lbs.

TRANSMISSION AND DRIVE TRAIN

Clutch Diameter: 8"

Gearbox

No. speeds forward: 4

Ratios:

	Std.	Alt.	Alt.	Alt.	Alt.	Alt.
1.	3.64	3.44	2.44	2.45		
2.	2.71	2.17	1.62	1.82		
3.	1.37	1.38	1.27	1.31		
4.	1.00	1.00	1.00	1.00		
5.						

Overdrive

Make & Model: Laycock

Ratio 0.82, 0.88, 0.79

Final Drive Ratios: 3.91, 4.10, 4.30, 4.55, 4.88, 5.125, 5.38, 3.70, 4.22, 3.30, 3.07, 2.74,
3.58

CHASSIS

Wheelbase 91.0"
Track dimension, Front 53.0"
Track dimension, Rear 53.15"
Wheel diameter 14"
Rim width 6.5"

BRAKES

Front:

Standard
10.75" disc

Alternate
Rear:

Alternate
10.00" drum

WEIGHT & CAPACITIES

Official weight: See above Std. fuel tank capy: 14.3 gal.
20 gal. Aux. 28.5 gal Alt.

ALTERNATE SPECIFICATIONS

17H 8152 0.75" rear wheel cyls.
Alternate intake manifold for 2" SU — 12 H2838

Manufacturer: British Leyland
 Model: MG-C and MG-C GT

Class: D

ENGINE

Manufacturer BLMV
 Type OHV, 6 cyl. inline
 Bore x stroke 3.28" x 3.54"
 Capacity 2912 cc
 Head material C.I.
 Block material C.I.
 Valve head dia:
 Intake 1.75"
 Exhaust 1.56"
 Induction system Two 1.75" HS-6 SU

TRANSMISSION AND DRIVE TRAIN

Clutch Diameter: 9.16"

Gearbox

No. speeds forward: 4

Ratios:

	Std.	Alt.	Alt.	Alt.	Alt.	Alt.
1.	3.44	2.98	2.98	2.45	2.98	
2.	2.17	2.06	1.70	1.82	1.70	
3.	1.38	1.31	1.31	1.31	1.31	
4.	1.00	1.00	1.00	1.00	1.00	
5.						

Overdrive

Make & Model: Laycock

Ratio 0.82

Final Drive Ratios: 3.07, 3.307, 3.7, 3.91, 4.22, 2.74, 4.55, 3.58, 4.88

CHASSIS

Wheelbase 91.0"
 Track dimension, Front 53.7"
 Track dimension, REAR 52.7"
 Wheel diameter 15"
 Rim width 6.5"

BRAKES

	Standard	Alternate	Alternate
Front:	11" disc		
Rear:	9" drum		

WEIGHT & CAPACITIES

Official weight: Std. fuel tank capy: 14.3 gal.
 Roadster: 2106 lbs.; Coupe: 2163 lbs. 28.5 gal. Alt.

ALTERNATE SPECIFICATIONS

Manufacturer: Morgan Motor Company
Model: Morgan 4/4 Mk IV

Class: H

ENGINE

Manufacturer Ford 109E
Type OHV, 4 cyl. inline
Bore x stroke 3.2" x 2.56"
Capacity 1340 cc
Head material C.I.
Block material C.I.
Valve head dia:
 Intake 1.37"
 Exhaust 1.19"
Induction system One Solex DD

TRANSMISSION AND DRIVE TRAIN

Clutch Diameter: 7 $\frac{3}{8}$ "

Gearbox

No. speeds forward:

Ratios:

	Std.	Alt.	Alt.	Alt.	Alt.	Alt.
1.	3.5					
2.	2.4					
3.	1.4					
4.	1.0					
5.						

Overdrive

Make & Model: None

Ratio

Final Drive Ratios: 4.1, 4.56, 4.8

CHASSIS

Wheelbase 96.0"
Track dimension, Front 51.5"
Track dimension, Rear 52.3"
Wheel diameter 15"
Rim width 6"

BRAKES

	Standard	Alternate	Alternate
Front:	11" disc		
Rear:	9" drum		

WEIGHT & CAPACITIES

Official weight: 1383 lbs. Std. fuel tank capy: 10 gal.

ALTERNATE SPECIFICATIONS

4/4-12-251 close ratio gears

Manufacturer: Morgan Motor Company
Model: Morgan 4/4 Mk V

Class: F

ENGINE

Manufacturer Ford 116 E
Type OHV, 4 cyl. inline
Bore x stroke 3.19" x 2.86"
Capacity 1498 cc
Head material C.I.
Block material C.I.
Valve head dia:
 Intake 1.44"
 Exhaust 1.19"
 Induction system One 28/36 Weber D.D.

TRANSMISSION AND DRIVE TRAIN

Clutch Diameter: 7 $\frac{3}{8}$ "

Gearbox

No. speeds forward: 4

Ratios:

	Std.	Alt.	Alt.	Alt.	Alt.	Alt.
1.	3.5					
2.	2.4					
3.	1.4					
4.	1.0					
5.						

Overdrive

Make & Model: None

Ratio

Final Drive Ratios: 4.1, 4.56, 4.8

CHASSIS

Wheelbase 96.0"
Track dimension, Front 51.5"
Track dimension, Rear 52.3"
Wheel dimension 15"
Rim width 6"

BRAKES

	Standard	Alternate	Alternate
Front:	11" disc		
Rear:	9" drum		

WEIGHT & CAPACITIES

Official weight: 1383 lbs. Std. fuel tank capy: 13 gal.

ALTERNATE SPECIFICATIONS

4/4-12-251 close ratio gears

Manufacturer: Morgan Motor Company
Model: Morgan Plus 4

Class: E

ENGINE

Manufacturer Triumph
Type OHV, 4 cyl. inline
Bore x stroke 3.39" x 3.62"
Capacity 2138 cc
Head material C.I.
Block material C.I.
Valve head dia:
 Intake 1.56"
 Exhaust 1.30"
 Induction system Two 1.75" SU

TRANSMISSION AND DRIVE TRAIN

Clutch Diameter: 9"

Gearbox

No. speeds forward: 4

Ratios:

	Std.	Alt.	Alt.	Alt.	Alt.	Alt.
1.	3.38	2.98	3.38			
2.	1.98	1.76	1.86			
3.	1.14	1.21	1.37			
4.	1.00	1.00	1.00			
5.						

Overdrive

Make & Model: None

Ratio

Final Drive Ratios: 2.8, 3.56, 3.72, 4.1, 4.55

CHASSIS

Wheelbase 96.0"
Track dimension, Front 51.5"
Track dimension, Rear 52.3"
Wheel diameter 15"
Rim width 6"

BRAKES

Front:

Rear:

Standard

11" disc

9" drum

Alternate

Alternate

WEIGHT & CAPACITIES

Official weight: 1755 lbs. Std. fuel tank capy: 15 gal.

ALTERNATE SPECIFICATIONS

Manufacturer: Morgan Motor Company
Model: Morgan Super Sports

Class: C

ENGINE

Manufacturer Triumph
Type OHV, 4 cyl. in line
Bore x stroke 3.39" x 3.62"
Capacity 2138 cc
Head material C.I.
Block material C.I.
Valve head dia:
 Intake 1.56"
 Exhaust 1.30"
Carburation Two Weber 42 DCO

TRANSMISSION AND DRIVE TRAIN

Clutch Diameter: 9"

Gearbox

No. of speeds forward: 4

Ratios:

	Std.	Alt.	Alt.	Alt.	Alt.	Alt.
1.	3.38	2.98	3.38			
2.	1.98	1.76	1.86			
3.	1.14	1.21	1.37			
4.	1.00	1.00	1.00			
5.						

Overdrive

Make & Model: None

Ratio

Final Drive Ratios: 2.8, 3.56, 3.73, 4.1, 4.55

CHASSIS

Wheelbase 96"
Track dimension, Front 51.5"
Track Dimension, Rear 52.3"
Wheel diameter 15"
Rim width 6.0"

BRAKES

Front:

Rear:

Standard

11" Disc

9" Drum

Alternate

Alternate

WEIGHT & CAPACITIES

Official weight: 1596 lbs.

Fuel tank capy: 14 gal. (Std)

22 gal. (Alt)

ALTERNATE SPECIFICATIONS

Manufacturer: Opel
Model: Opel GT 1100

Class: H

ENGINE

Manufacturer Opel
Type 4 cyl. in line
Bore x stroke 2.95" x 2.40"
Capacity 65.76 cu. in.
Head material C.I.
Block material C.I.
Valve head dia:
 Intake 1.26"
 Exhaust 1.06"
 Induction system Two Solex 35 PDSI-2 26 MM

TRANSMISSION AND DRIVE TRAIN

Clutch Diameter: 6.69"

Gearbox

No. speeds forward: 4

Ratios:

	Std.	Alt.	Alt.	Alt.	Alt.	Alt.
1.	3.867					
2.	2.215					
3.	1.432					
4.	1.000					
5.						

Overdrive

Make & Model: None

Ratio

Final Drive Ratios: 3.89, 4.11, 4.375, 4.625

CHASSIS

Wheelbase 95.7"
Track dimension, Front 53.0"
Track dimension, Rear 54.0"
Wheel diameter 13"
Rim width 6.5"

BRAKES

	Standard	Alternte	Alternate
Front:	9.37" Disc	Disc #90000182	
Rear:	7.87" Drum	Disc #9280751	

WEIGHT & CAPACITIES

Official weight: 1496 lbs. Std. fuel tank capy: 19 gal.

ALTERNATE SPECIFICATIONS

Manufacturer: Opel
 Model: Opel GT 1900, Model 77

Class: E

ENGINE

Manufacturer Opel
 Type 4 cyl, in line
 Bore x stroke 3.66" x 2.75"
 Capacity 115.8 cu. in.
 Head material C.I.
 Block material C.I.
 Valve head dia:
 Intake 1.58"
 Exhaust 1.34"
 Induction system One Solex 32 TDID-2 Pri. 24 mm Sec. 28 mm or
 One 2 bbl. Solex 1.26" Pri. 1.26" Sec.

TRANSMISSION AND DRIVE TRAIN

Clutch Diameter: 8.03"

Gearbox

No. speeds forward: 4 or 5

Ratios:

	Std.	Alt.	Alt.	Alt.	Alt.	Alt.	Automatic
1.	3.428	2.87	2.99	3.85			2.40
2.	2.156	1.75	1.76	2.40			1.48
3.	1.366	1.29	1.30	1.76			1.00
4.	1.000	1.00	1.00	1.26			
5.			0.87	1.00			

Overdrive

Make & Model: None

Ratio

Final Drive Ratios: 3.44, 3.67, 3.89, 4.22, 3.18, 4.75

CHASSIS

Wheelbase 95.7"
 Track dimension, Front 53.0"
 Track dimension, Rear 54.2"
 Wheel diameter 13"
 Rim width 6.5"

BRAKES

	Standard	Alternate	Alternate
Front:	9.37" Disc		
Rear:	9.06" Drum	9.37" Disc	

WEIGHT & CAPACITIES

Official weight: 1862 lbs. Std. fuel tank capy: 19 gal.
 15 gal. Alt.

ALTERNATE SPECIFICATIONS

One Solex Type CCI 1.57" Pri. 1.57" Sec.
 One Weber 40-DFI-5

Manufacturer: Porsche
 Model: 356, 356A — 1300 and 1300 S Coupe and Cabriolet

Class: G

ENGINE

Manufacturer Porsche
 Type OHV, 4 cyl. opposed
 Bore x stroke 2.94" x 2.92" or 3.15" x 2.52"
 Capacity 1290 cc or 1286 cc
 Head material Alum.
 Block material Alum.
 Valve head dia:
 Intake 1.50"
 Exhaust 1.20"
 Induction system Two Solex 40 PBIC or 32 PBIC or 32 PBI
 or 2-32mm Zenith DD carb.

TRANSMISSION AND DRIVE TRAIN

Clutch Diameter: 8"

Gearbox

No. speeds forward:

Ratios:

	Std.	Alt.	Alt.	Alt.	Alt.	Alt.	Alt.
1.	3.09	2.75					
2.	2.13	1.94	1.76	1.61			
3.	1.61	1.47	1.35	1.23	1.13		
4.	1.35	1.14	1.04	0.96	0.89	0.85	0.82
5.							

Overdrive

Make & Model: None

Ratio

Final Drive Ratios: 6/31, 7/31, 7/34

CHASSIS

Wheelbase 82.7"
 Track dimension, Front 55.0"
 Track dimension, Rear 53.7"
 Wheel diameter 15" or 16"
 Rim width 6"

BRAKES

	Standard	Alternate	Alternate
Front:	11" drum		
Rear:	11" drum		

WEIGHT & CAPACITIES

Official weight: Std. fuel tank capy: 13 gal.
 Coupe: 1618 lbs.; Cabriolet: 1637 lbs. 21 gal. Alt.

ALTERNATE SPECIFICATIONS

60 mm front brakes with vented backing plate.

ENGINE

Manufacturer Porsche
 Type OHV, 4 cyl. opposed
 Bore x stroke 3.25" x 2.91" or 3.15" x 2.91"
 Capacity 1582 cc or 1488 cc
 Head material Alum.
 Block material Alum.
 Valve head dia:
 Intake 1.50" or 1.57"
 Exhaust 1.34"
 Induction system Two Zenith 32 NDIX or Two Solex 32 PBIC or
 Two Solex 40 PBIC or Two Solex P II 4 or PJ54

TRANSMISSION AND DRIVE TRAIN

Clutch Diameter: 8"

Gearbox

No. speeds forward: 4

Ratios:

	Std.	Alt.	Alt.	Alt.	Alt.	Alt.	Alt.	Alt.
1.	3.09	2.75	2.13	1.94	1.76	1.61		
2.	2.13	1.94	1.76	1.61	1.47	1.35	1.23	1.13
3.	1.61	1.47	1.35	1.23	1.13			
4.	1.35	1.13	1.04	0.96	0.89	0.85	0.82	
5.								

Overdrive

Make & Model: None

Ratio

Final Drive Ratios: 4.43, 4.86, 5.17

CHASSIS

Wheelbase 82.7"
 Track dimension, Front 55.0"
 Track dimension, Rear 53.7"
 Wheel diameter 15"
 Rim width 6"

BRAKES

	Standard	Alternate	Alternate
Front:	10.8" disc	11" drum	
Rear:	11.2" disc	11" drum	

WEIGHT & CAPACITIES

Official weight: 1529 lbs. Std. fuel tank capy: 13 gal.
 19 or 21 gal. Alt.

644.42.095 — 60 mm front brakes & vent backing plates

ALTERNATE SPECIFICATIONS

644.511.010.18 — Alum. front hood
 644.512.010.18 — Alum. rear hood
 644.531.004.10 — Alum. door
 644.531.003.10 — Alum. door

No change in official weight

Manufacturer: Porsche
Model: 924

Class: D

ENGINE

Manufacturer Porsche
Type 4 inline SOHC
Bore x stroke 3.41" x 3.32" (86.5 x 84.4 mm)
Capacity 1984 cc
Head material Alum.
Block material C.I.
Valve head dia:
 Intake 1.57" (40 mm)
 Exhaust 1.299" (33 mm)
 Induction system Bosch K-Jetronic fuel injector or alternate or 2 Weber
 45 DOCE 36 mm Venturi alt. manifold unspecified.

TRANSMISSION AND DRIVE TRAIN

Clutch Diameter: 8.464"

Gearbox

No. speeds forward: 4 or 5

Ratios:

	Std.	Alt.	Alt.	Alt.	Alt.	Alt.	Alt.	Alt.
1.	3.60	3.60	3.60	2.78	2.78	3.16	2.64	2.40
2.	2.12	2.00	2.26	1.68	1.72	1.77	1.63	1.63
3.	1.36	1.54	1.43	1.11	1.21	1.21	1.26	1.32
4.	0.96	1.11	1.03	0.80	0.93	0.93	1.00	1.00
5.				0.60	0.70	0.70	0.89	0.89

Overdrive

Make & Model: None

Ratio

Final Drive Ratios: 3.44, 3.45, 3.72, 3.88, 4.11, 4.12, 4.71, 5.00, 3.875, 5.286

CHASSIS

Wheelbase 94.49"
Track dimension, Front 59.62"
Track dimension, Rear 57.70"
Wheel diameter 14" or 15"
Rim width 7"

BRAKES

	Standard	Alternate	Alternate
Front:	10.11" disc	11.12" disc	
Rear:	9" drum	11.37" disc	

WEIGHT & CAPACITIES

Official weight: 2000 lbs. F.I. Std. fuel tank capy: 17.43 gal.
1900 lbs. (Carbs)

ALTERNATE SPECIFICATIONS

1. Air manifold assembly P/N 937.110. 261.00. Butterfly dimension 53mm x 54mm. Maximum inlet diameter in front of butterfly 53mm.
2. Air throttle body adjacent to the head shall not exceed 40 mm I.D.
3. The connecting tube(s) shall not exceed 40mm I.D.
4. The throttle body may be identified by casing numbers in raised figures "110-121-10."
Rear window extension: P/N 477 827 041
Cylinder head: P/N 933.104.302.50 exhaust valve size 36 mm

ALTERNATE INDUCTION:

Fuel injection pump: 933.099.100.22
Injector nozzle: 901.110.015.01

Manufacturer: Porsche
Model: Carrera (1500 and 1600)

Class: D

ENGINE

Manufacturer Porsche
Type DOHC 4 cyl. opposed
Bore x stroke 3.35" x 2.59" or 3.45" x 2.59"
Capacity 1498 cc or 1588 cc
Head material Alum.
Block material Alum.
Valve head dia:
 Intake 1.89"
 Exhaust 1.62"
Induction system Two Solex 40 PJJ, Solex 40 PJJ-4, Solex 44 PII-4 or Weber 40 DCM

TRANSMISSION AND DRIVE TRAIN

clutch Diameter: 8"

Gearbox

No. speeds forward: 4

Ratios:

	Std.	Alt.	Alt.	Alt.	Alt.	Alt.
1.	11/34	13/33	12/33			
2.	17/30	16/31	16/31	15/32	18/29	
3.	22/27	24/25	20/27	18/29	23/26	
4.	25/24	26/23	23/26	27/22	27/23	
5.						

Overdrive

Make & Model: None

Ratio

Final Drive Ratios: 6/31, 7/31, 7/34

CHASSIS

Wheelbase 82.7"
Track dimension, Front 55.0"
Track dimension, Rear 53.7"
Wheel diameter 15"
Rim width 6"

BRAKES

	Standard	Alternate	Alternate
Front:	11" drum		
Rear:	11" drum		

WEIGHT & CAPACITIES

Official weight: Std. fuel tank capy: 13 gal.
Coupe: 1776 lbs.; Spdstr: 1596 lbs. 21 gal. Alt.

ALTERNATE SPECIFICATIONS: 695.350.001.10 — 10.8"/11.2" disc brake kit
644.42.095 — 60 mm front brakes 547.108.107.01 — Weber 46ID
547.108.108.01 — Weber 46ID
644.531.004.10 — Alum. door 644.511.010.15 — Alum. front hood
644.531.003.10 — Alum. door 644.512.001.10 — Alum. rear hood
No decrease in official weight

Manufacturer: Porsche Class: D
 Model: 911, 911L, 911S, 911T, Coupe/Targa thru 1968, 911T & Targa 1969 (carb. version only)

ENGINE

Manufacturer Porsche
 Type SOHC 6 cyl. opposed
 Bore x stroke 3.15" (80mm) x 2.60" (66 mm)
 Capacity 1991 cc
 Head material Alum.
 Block material Alum.
 Valve head dia:
 Intake 1.54", 1.65" or 1.77 = 45 mm ("S" head)
 Exhaust 1.38", 1.49" or 1.53 = 39 mm ("S" head)
 Induction system Two Weber 40 IDA/IDS 3C or Six Solex 40 PI or
 Two Weber 40 IDA/IDS 3C/3C1

TRANSMISSION AND DRIVE TRAIN

Clutch Diameter: 8.5" (216 mm) 8.86"

Gearbox

No. speeds forward: 5 or 4

Ratios:

	Std.	Alt.	Alt.	Alt.	Alt.	Alt.	Alt.	Alt.
1.	3.09	2.64	2.40	2.83				
2.	1.89	1.78	1.60	2.00	1.55	1.83	1.68	2.19
3.	1.32	1.43	1.22	1.55	1.13	1.48	1.36	
*4.	1.04	1.08	1.00	1.32	1.17	1.26	1.23	
*5.	0.79	0.93	0.82	1.22	0.89	0.86	0.96	

*4th and 5th gear ratios interchangeable.

Overdrive

Make & Model: None

Ratio

Final Drive Ratios: 3.86, 4.43, 4.81, 6.29, 5.33

CHASSIS

Wheelbase 87.0" (2211 mm) or 89.41"
 Track dimension, Front 56.8" or 57.8"
 Track dimension, Rear 55.9" or 57.04" **Alt.** **Alt.**
 Wheel diameter 15" **14"** **15"**
 Rim width 7" **7"** **7.5"**

BRAKES

	Standard	Alternate	Alternate
Front:	11.1" disc		
Rear:	11.2" disc	11.4" disc	

WEIGHT & CAPACITIES

Official weight: 2000 lbs. Std. fuel tank capy: 16.3 gal.
 26.0 gal. Alt.

ALTERNATE SPECIFICATIONS

Two Weber 40 IDT 3/C3 C1
 "S" caliper, alloy. "S" disc is ventilated
 #F/90135104116, R90135204114
 Rear rim width: 8.0" (Track increase rear 58.04)

Manufacturer: Porsche
Model: 912 Coupe/Targa-Cabriolet thru 1968

Class: E

ENGINE

Manufacturer Porsche
Type OHV, 4 cyl. opposed
Bore x stroke 3.25" x 2.91"
Capacity 1582 cc
Head material Alum.
Block material Alum.
Valve head dia:
 Intake 1.50"
 Exhaust 1.34"
Induction system Two Solex PII-4

TRANSMISSION AND DRIVE TRAIN

Clutch Diameter: 8"

Gearbox

No. speeds forward: 4 or 5

Ratios:

	Std.	Alt.	Alt.	Alt.	Alt.	Alt.	Alt.	Alt.
1.	3.09	2.83	2.64	2.40				
2.	2.00	1.89	1.83	1.78	1.68	1.60	1.55	2.19
3.	1.33	1.48	1.43	1.36	1.32	1.22	1.13	
4.	1.32	1.22	1.13	1.08	1.04	1.00	0.96	0.93
5.	1.22	1.13	1.04	0.96	0.93	0.89	0.86	0.82

Overdrive

Make & Model: None

Ratio

Final Drive Ratios: 4.43, 4.83, 5.15, 6.29

CHASSIS

Wheelbase 87"
Track dimension, Front 57.5"
Track dimension, Rear 56.2"
Wheel diameter 15"
Rim width 7"

BRAKES

	Standard	Alternate	Alternate
Front:	11.1" disc		
Rear:	11.2" disc		

WEIGHT & CAPACITIES

Official weight: 1818 lbs. Std. fuel tank capy: 16.3 gal.
26.0 gal. Alt.

ALTERNATE SPECIFICATIONS: 901.351/352.401.15 — Ventilated disc brakes

Fourth gear ratios: 0.89, 0.86
Fifth gear ratios: 0.79, 1.26, 1.17

Manufacturer: Porsche
 Model: 912 Coupe/Targa-Cabriolet 1969

Class: E

ENGINE

Manufacturer Porsche
 Type OHV
 Bore x stroke 3.25" x 2.91"
 Capacity 1582 cc
 Head material Alloy
 Block material Alloy
 Valve head dia:
 Intake 1.50"
 Exhaust 1.34"
 Induction system Two Solex 40 PII-4 Downdraft

TRANSMISSION AND DRIVE TRAIN

Clutch Diameter: 7.87"

Gearbox

No. speeds forward: 5 or 4

Ratios:

	Std.	Alt.	Alt.	Alt.	Alt.	Alt.	Alt.	Alt.
1.	3.09	2.64	2.40	2.83				
2.	1.89	1.78	1.60	2.00	1.55	1.60	1.83	1.68
3.	1.32	1.43	1.22	1.56	1.13	1.48	1.36	
4.	1.04	1.08	1.00	1.32	0.86	0.89	0.96	0.79
5.	0.79	0.93	0.82	1.22	0.89	0.93	0.13	1.17

Overdrive

Make & Model: None

Ratio

Final Drive Ratios: 4.43, 4.83, 5.33

CHASSIS

Wheelbase 89.2"
 Track dimension, Front 57.3"
 Track dimension, Rear 56.5"
 Wheel diameter 15"
 Rim width 7"

BRAKES

	Standard	Alternate	Alternate
Front:	11.1" disc		
Rear:	11.4" disc		

WEIGHT & CAPACITIES

Official weight: 1818 lbs. Std. fuel tank capy: 16.4 gal.
 26.4 gal. Alt.

ALTERNATE SPECIFICATIONS

Second gear ratio: 2.19 Fourth gear ratio: 1.26

Manufacturer: Porsche
Model: 912 E

Class: E

Manufacturer	Porsche
Type	4 cyl. opposed
Bore x stroke	94 mm x 71 mm
Capacity	1971 cc
Head material	Alloy
Block material	Alloy
Valve head dia:	
Intake	42 mm
Exhaust	36 mm
Induction system	Bosch L-Jetronic fuel injection 1.42" or two Solex PII 4 (40 mm)

TRANSMISSION AND DRIVE TRAIN

Clutch Diameter: 8.47"

Gearbox

No. speeds forward: 5

Ratios:

	Std.	Alt.	Alt.	Alt.	Alt.	Alt.
1.	3.18					
2.	1.83					
3.	1.26	Same as 914				
4.	0.96					
5.	0.72					

Overdrive

Make & Model: None

Ratio

Final Drive Ratios: 4.43, 4.83, 5.33

CHASSIS

Wheelbase	89.41"
Track dimension, Front	57.2"
Track dimension, Rear	56.0"
Wheel diameter	15"
Rim width	7"

BRAKES

	Standard	Alternate	Alternate
Front:	11.1" disc		
Rear:	11.4" disc		

WEIGHT & CAPACITIES

Official weight: 2113 lbs. Std. fuel tank capy: 21.1 gal.

Note: Cast iron sleeves

ALTERNATE SPECIFICATIONS

Intake manifolds — 021 129 705 R

Manufacturer: Porsche
Model: 914

Class: E

ENGINE

Manufacturer Porsche
Type 4 cyl. opposed
Bore x stroke 3.54" x 2.60" or 93 mm x 66 mm
Capacity 1679 cc or 1795 cc
Head material Alum.
Block material Alum.
Valve head dia:
 Intake 39mm (1.55") or 41.9mm (1.65")
 Exhaust 33mm (1.30") or 34mm (1.34")
 Induction system Bosch Fuel Injection 40 mm or Two Solex 40 PII-4

TRANSMISSION AND DRIVE TRAIN

Clutch Diameter: 8.5"

Gearbox

No. speeds forward: 5 or 4

Ratios:

	Std.	Alt.	Alt.	Alt.	Alt.	Alt.	Alt.	Alt.
1.	3.09	2.64	2.40	2.83	2.19			
2.	1.76	1.89	1.60	2.00	1.83	1.68	1.55	
3.	1.22	1.32	1.22	1.55	1.48	1.43	1.36	1.13
4.	0.93	1.04	1.00	1.32	1.22	1.17	1.13	1.08
5.	0.76	0.79	0.82	1.22	0.96	0.89	0.86	

Overdrive

Make & Model: None

Ratio

Final Drive Ratios: 4.43, 4.83, 5.33

CHASSIS

Wheelbase 96.5"
Track dimension, Front 56.5"
Track dimension, Rear 58.2"
Wheel diameter 15"
Rim width 7"

BRAKES

	Standard	Alternate	Alternate
Front:	11.06" disc		
Rear:	11.1" disc		

WEIGHT & CAPACITIES

Official weight: 1863 lbs. Std. fuel tank capy: 16.4 gal.

ALTERNATE SPECIFICATIONS

Sleeves: cast iron
Intake manifolds — #021 129 705 N
Top panels may remain in place if securely bolted or pinned
Alt. rear brakes — Use front disc & caliper

Manufacturer: Porsche
Model: 914S

Class: D

ENGINE

Manufacturer Porsche
Type 4 cyl. opposed
Bore x stroke 3.7" x 2.79"
Capacity 120.28 cu. in.
Head material Alloy
Block material Alloy
Valve head dia:
 Intake 1.65"
 Exhaust 1.41"
Induction system Bosch electronic fuel injection 1.62" or Two Solex PII 40mm

TRANSMISSION AND DRIVE TRAIN

Clutch Diameter: 8.47"

Gearbox

No. speeds forward: 5

Ratios:

	Std.	Alt.	Alt.	Alt.	Alt.	Alt.
1.	3.09					
2.	1.89					
3.	0.96		Same as 914			
4.	0.96					
5.	0.71					

Overdrive

Make & Model: None

Ratio

Final Drive Ratios: 3.86, 4.43, 4.83, 5.33

CHASSIS

Wheelbase 96.5"
Track dimension, Front 56.6"
Track dimension, Rear 58.4"
Wheel diameter 15"
Rim width 7"

BRAKES

	Standard	Alternate	Alternate
Front:	11.06" disc		
Rear:	11.1" disc		

WEIGHT & CAPACITIES

Official weight: 1816 lbs. Std. fuel tank capy: 16.4 gal.

ALTERNATE SPECIFICATIONS

Sleeves: cast iron

Intake manifolds — #021 129 705 R

Top panels may remain in place if securely bolted or pinned

**NOT ELIGIBLE FOR COMPETITION WITHOUT
COMPETITION BOARD APPROVAL**

Manufacturer: Porsche
Model: 924 Turbo

Class: C

ENGINE

Manufacturer Porsche
 Type 4 inline SOHC
 Bore x stroke 3.41" x 3.32" (86.5 x 84.4 mm)
 Capacity 1984 cc
 Head material Alum.
 Block material C.I.
 Valve head dia:
 Intake 1.57" (40 mm)
 Exhaust 1.417" (36 mm)
 Induction system Bosch K-Jetronic fuel injector or alternate
 Turbo inlet dia.

TRANSMISSION AND DRIVE TRAIN

Clutch Diameter: 8.464"

Gearbox

No. speeds forward: 4 or 5

Ratios:

	Std.	Alt.	Alt.	Alt.	Alt.	Alt.
1.	3.16	3.60	3.60	2.78	2.78	3.16
2.	1.77	2.00	2.26	1.68	1.72	1.77
3.	1.21	1.54	1.43	1.11	1.21	1.21
4.	0.93	1.11	1.03	0.80	0.93	0.93
5.	0.60			0.60	0.70	0.70

Overdrive

Make & Model: None

Ratio

Final Drive Ratios: 3.44, 3.45, 3.72, 3.88, 4.11, 4.12, 4.71, 5.00, 3.87, 4.72, 5.28

CHASSIS

Wheelbase 94.49"
 Track dimension, Front 59.62"
 Track dimension, Rear 57.70"
 Wheel diameter 14" or 15"
 Rim width 7"

BRAKES

	Standard	Alternate	Alternate
Front:	10.11" disc	11.12" disc	
Rear:	9" drum	11.37" disc	

WEIGHT & CAPACITIES

Official weight: 2300 lbs. Std. fuel tank capy: 17.43 gal.

ALTERNATE SPECIFICATIONS

Injection pump	937.110.021.00	Turbo	937.123.002.00
Injector manifold	937.110.012.00	Waste Gate	937.123.014.00
Air throttle	937.110.031.00	Exhaust manifold	937.111.011.00
		Intercooler	937.110.133.00
		Rear spoiler	939.545.109.00

Alt. Brakes: Disc, front (R) 930 352 046 00
 Disc, front (L) 930 352 045 00
 Disc, rear (R) 930 352 046 00
 Disc, rear (L) 930 352 045 00
 Caliper, front (R) 930 351 090 13
 Caliper, front (L) 930 351 089 13
 Caliper, rear (R) 930 352 090 13
 Caliper, rear (L) 930 352 089 13

Part numbers — Calipers: front CP 2270 or CP 2271
 rear CP 2353
 Disc: front left CP 2261/6 11.97" x 1.1" wide
 front right CP 2261/7 11.97" x 1.1" wide
 rear left CP 2261/4 11.97" x .81" wide
 rear right CP 2261/5 11.97" x .81" wide

ALTERNATE RATIOS:

1st gear:	2.64	2nd gear:	2.06	3rd gear:	1.68	4th gear:	1.32	5th gear:	0.89
	2.40		2.18		1.55		1.26		0.82
			1.94		1.45		1.22		0.78
			1.83		1.38		1.17		0.75
			1.63		1.32		1.12		0.73
			1.45		1.26		1.08		
			1.75		1.17		1.04		
					1.13		0.85		

Manufacturer: SAAB
Model: SAAB Sonett V4, 97 Sonett III

Class: F

ENGINE

Manufacturer Ford
Type OHV — V4
Bore x stroke 3.54" x 2.32" or 3.54" x 2.63"
Capacity 91.4 cu. in. or 103.6 cu. in.
Head material C.I.
Block material C.I.
Valve head dia:
 Intake 1.46" or 1.48"
 Exhaust 1.26" or 1.28"
 Induction system Solex 28-32 Posit-4 32 mm, one Solex 40 P-II or Autolite DD 1 bbl. 1.26"

TRANSMISSION AND DRIVE TRAIN

clutch Diameter: 7.5"

Gearbox

No. speeds forward: 4

Ratios:

	Std.	Alt.	Alt.	Alt.	Alt.	Alt.
1.	3.48	3.14	2.64			
2.	2.09	1.86	1.60			
3.	1.30	1.30	1.19			
4.	0.84	0.92	0.92			
5.						

Overdrive

Make & Model: None

Ratio

Final Drive Ratios: 4.67, 4.88, 5.14, 5.43, 5.83

CHASSIS

Wheelbase 84.6"
Track dimension, Front 52.0"
Track dimension, Rear 52.0"
Wheel diameter 15"
Rim width 6"

BRAKES

	Standard	Alternate	Alternate
Front:	10.5" disc		
Rear:	8.0" drum		

WEIGHT & CAPACITIES

Official weight: 1615 lbs. Std. fuel tank capy: 15.8 or 14.5 gal.

ALTERNATE SPECIFICATIONS

Alternate intake manifold — Part #379050

Manufacturer: Rootes Class: F
 Model: Sunbeam Alpine I, II, III, IV, V, & Harrington Le Mans

ENGINE

Manufacturer Rootes
 Type OHV, 4 cyl. in line
 Bore x stroke 3.21" x 3.25" or 3.21" x 3.00" or 3.11" x 3.00"
 Capacity 1725 cc or 1592 cc or 1494 cc
 Head material Alum.
 Block material C.I.
 Valve head dia:
 Intake 1.50" or 1.48" or 1.432" or 1.436"
 Exhaust 1.21" or 1.18" or 1.172" or 1.176"
 Induction system Two Zenith-Stromberg 150 CD or One Solex 32 PAIA or Zenith 36 WIP2

TRANSMISSION AND DRIVE TRAIN

Clutch Diameter: 8"

Gearbox

No. speeds forward: 4

Ratios:

	Std.	Alt.	Alt.	Alt.	Alt.	Alt.
1.	3.35	3.32	2.97	2.97		
2.	2.14	1.90	1.90	1.60		
3.	1.39	1.24	1.23	1.24		
4.	1.00	1.00	1.00	1.00		
5.						

Overdrive

Make & Model: Laycock

Ratio 0.803

Final Drive Ratios: 3.89, 4.22, 4.44, 4.86

CHASSIS

Wheelbase 86"
 Track dimension, Front 55.1"
 Track dimension, Rear 54.0"
 Wheel diameter 13"
 Rim width 6"

BRAKES

	Standard	Alternate	Alternate
Front:	10" disc		
Rear:	9" drum		

WEIGHT & CAPACITIES

Official weight: 1776 lbs. Std. fuel tank capy: 14 gal.
 25 gal. Alt.

ALTERNATE SPECIFICATIONS

Manufacturer: Rootes
Model: Sunbeam Tiger 260, 289

Class: C

ENGINE

Manufacturer	Ford	Ford
Type	OHV — V8	OHV — V8
Bore x stroke	3.80" x 2.87"	4.00" x 2.87"
Capacity	4262 cc	4737 cc/289 CID
Head material	C.I.	C.I.
Block material	C.I.	C.I.
Valve head dia:		
Intake	1.677" or 1.582"	1.88"
Exhaust	1.457" or 1.381"	1.65"
Induction system	One Ford 2 bbl. C30FAB, C30F-9510-E, C40F-9519-E or Holley 4150 4 bbl. — 1 9/16"	

TRANSMISSION AND DRIVE TRAIN

Clutch Diameter: 10.4"

Gearbox

No. speeds forward: 4

Ratios:

	Std.	Alt.	Alt.	Alt.	Alt.	Alt.
1.	2.32	2.20	2.20	2.36		
2.	1.69	1.63	1.48	1.63		
3.	1.29	1.31	1.18	1.21		
4.	1.00	1.00	1.00	1.00		
5.						

Overdrive

Make & Model: None

Ratio

Final Drive Ratios: 2.88, 3.07, 3.31, 3.54, 3.70, 3.92, 4.09, 4.27, 4.55

CHASSIS

Wheelbase	86"
Track dimension, Front	58.1"
Track dimension, Rear	56.1"
Wheel diameter	13"
Rim width	8"

BRAKES

	Standard	Alternate	Alternate
Front:	10" disc		
Rear:	9" drum	10" disc (Lat 46)	

WEIGHT & CAPACITIES

Official weight: 2280 lbs. Std. fuel tank capy: 14 gal.
37 gal. Alt.

NOTE: Factory iron manifold only
ALTERNATE SPECIFICATIONS

Manufacturer: British Leyland
Model: Spitfire, Spitfire Mk II

Class: G

ENGINE

Manufacturer BLM
Type OHV, 4 cyl. in line
Bore x stroke 2.729" x 3.00"
Capacity 1147 cc
Head material C.I.
Block material C.I.
Valve head dia:
 Intake 1.30"
 Exhaust 1.15"
Induction system Two 1.25" SU

TRANSMISSION AND DRIVE TRAIN

Clutch Diameter: 6.5"

Gearbox

No. speeds forward: 4

Ratios:

	Std.	Alt.	Alt.	Alt.	Alt.	Alt.
1.	3.75	2.93	2.65			
2.	2.16	1.78				
3.	1.39	1.25				
4.	1.00	1.00				
5.						

Overdrive

Make & Model: Laycock

Ratio 0.821

Final Drive Ratios: 4.11, 4.55, 4.88, 3.90

CHASSIS

Wheelbase 83"
Track dimension, Front 52.6"
Track dimension, Rear 51.5"
Wheel diameter 13"
Rim width 6"

BRAKES

	Standard	Alternate	Alternate
Front:	9.2" disc	9.7" disc	
Rear:	7.0" drum	8.0" drum	

WEIGHT & CAPACITIES

Official weight: 1455 lbs. Std. fuel tank capy: 11 gal.

ALTERNATE SPECIFICATIONS

Disc brakes: front — Girling 14P
Disc brakes (9.7") — #213227
Calipers and mounting kit — #V 734

Manufacturer: British Leyland
Model: Triumph Spitfire Mk III

Class: F

ENGINE

Manufacturer BLMi
Type OHV, 4 cyl. in line
Bore x stroke 2.9" x 2.99"
Capacity 1296 cc
Head material C.I.
Block material C.I.
Valve head dia:
 Intake 1.3"
 Exhaust 1.17"
 Induction system Two 1.25" Stromberg or Two 1.25" SU or
 One 1.5" CDSE Stromberg or one 1.5" SU

TRANSMISSION AND DRIVE TRAIN

Clutch Diameter: 6.5"

Gearbox

No. speeds forward: 4

Ratios:

	Std.	Alt.	Alt.	Alt.	Alt.	Alt.
1.	3.75	2.93	2.65			
2.	2.16	1.78				
3.	1.39	1.25				
4.	1.00	1.00				
5.						

Overdrive

Make & Model: Laycock "D"

Ratio 0.802

Final Drive Ratios: 4.1, 4.55, 4.87, 3.90

CHASSIS

wheelbase 83"
Track dimension, Front 53.6"
Track dimension, Rear 52.6"
Wheel diameter 13"
Rim width 6"

BRAKES

	Standard	Alternate	Alternate
Front:	9" disc	9.7" disc	
Rear:	7" drum	8.0" drum	

WEIGHT & CAPACITIES

Official weight: 1463 lbs. Std. fuel tank capy: 9.9 gal.

ALTERNATE SPECIFICATIONS

Manufacturer: British Leyland
 Model: Spitfire Mk IV and 1500

Class: F

ENGINE

Manufacturer	BLMI	or	BLMI
Type	OHV, 4 cyl. in line		OHV, 4 cyl. in line
Bore x stroke	2.90" x 2.99"		2.90" x 3.44"
Capacity	1296 cc		1493 cc
Head material	C.I.		C.I.
Block material	C.I.		C.I.
Valve head dia:			
Intake	1.3" or 1.44"		1.44"
Exhaust	1.17"		1.17"
Induction system	Two 1.25" SU		One 1.5" Stromberg type SU or one 1.5" SU

TRANSMISSION AND DRIVE TRAIN

Clutch Diameter:	6.5"				7.25"	
No. speeds forward:	4					
Ratios:						
	Std.	Alt.	Alt.	Alt.	Alt.	Alt.
1.	2.65	2.93	3.50	3.75		
2.	1.78	1.78	2.16	2.16		
3.	1.25	1.25	1.39	1.39		
4.	1.00	1.00	1.00	1.00		
5.						

Overdrive

Make & Model: Laycock "D"
 Ratio 0.802

Final Drive Ratios: 3.2, 3.63, 3.89, 4.1, 4.55, 4.87

CHASSIS

Wheelbase	83"
Track dimension, Front	53.6"
Track dimension, Rear	54.6"
Wheel diameter	13"
Rim width	6"

BRAKES

	Standard	Alternate	Alternate
Front:	9" disc	9.7" disc	
Rear:	7" drum	8.0" drum	

WEIGHT & CAPACITIES

Official weight: Std. fuel tank capy: 8-7 Gal.
 1296 — 1489 lbs.; 1500 — 1584 lbs.

Note: Roll bars meeting requirements for cars under 1500 lbs. are acceptable for Triumph Spitfire 1500

Note: Parts may not be interchanged between two engine/clutch/units.

ALTERNATE SPECIFICATIONS

Manufacturer: British Leyland
Model: TR-2, TR-3, TR-3A, TR-3B

Class: E

ENGINE

Manufacturer BLM
Type OHV, 4 cyl. in line
Bore x stroke 3.27" x 3.62" or 3.386" x 3.62"
Capacity 1991 cc or 2138 cc
Head material C.I.
Block material C.I.
Valve head dia:
 Intake 1.56"
 Exhaust 1.30"
 Induction system Two 1.75" SU

TRANSMISSION AND DRIVE TRAIN

Clutch Diameter: 9"

Gearbox

No. speeds forward: 4

Ratios:

	Std.	Alt.	Alt.	Alt.	Alt.
1.	3.38	3.14	2.19	1.88	2.99
2.	2.00	2.01	1.57	1.42	
3.	1.32	1.33	1.23	1.24	
4.	1.00	1.00	1.00	1.00	
5.					

DIFF Ratio: 3.45:1

Overdrive

Make & Model: Laycock

Ratio 0.821

Final Drive Ratios: 3.45:1, 3.7, 4.1, 4.3, 4.55, 4.87

CHASSIS

Wheelbase 88"
Track dimension, Front 52.0" or 53.0"
Track dimension, Rear 51.5" or 52.5"
Wheel diameter 15"
Rim width 6" or 7"

BRAKES

	Standard	Alternate	Alternate
Front:	11" disc	drum	
Rear:	9" or 10" drum	9" or 10" drum	— steel or Alfin

WEIGHT & CAPACITIES

Official weight: 1852 lbs. Std. fuel tank capy: 15 gal.

ALTERNATE SPECIFICATIONS

Manufacturer: British Leyland
Model: TR-4, TR-4A (Beam Axle)

Class: E

ENGINE

Manufacturer BLM
Type OHV, 4 cyl. in line
Bore x stroke 3.386" x 3.62"
Capacity 2138 cc
Head material C.I.
Block material C.I.
Valve head dia:
 Intake 1.56"
 Exhaust 1.30"
Induction system Two 1.75" SU or Stromberg

TRANSMISSION AND DRIVE TRAIN

Clutch Diameter: 9" or 8.75"

Gearbox

No. speeds forward: 4

Ratios:

	Std.	Alt.	Alt.	Alt.	Alt.	Alt.
1.	3.14	2.19	1.88	2.99		
2.	2.01	1.57	1.42			
3.	1.33	1.23	1.24			
4.	1.00	1.00	1.00			
5.						

Overdrive

Make & Model: Laycock

Ratio 0.821

Final Drive Ratios: 3.45, 3.7, 4.1, 4.3, 4.55, 4.87

CHASSIS

Wheelbase 88"
Track dimension, Front 53.6" or 54.6"
Track dimension, Rear 52.6" or 53.6"
Wheel diameter 15"
Rim width 6" or 7"

BRAKES

	Standard	Alternate	Alternate
Front:	11" disc		
Rear:	9" drum	9" drum or 10" drum—	steel or Alfin

WEIGHT & CAPACITIES

Official weight: 1900 lbs. Std. fuel tank capy: 14 gal.
32 gal. Alt.

ALTERNATE SPECIFICATIONS

Manufacturer: British Leyland
Model: TR-4A, I.R.S.

Class: E

ENGINE

Manufacturer BLMI
Type OHV, 4 cyl. in line
Bore x stroke 3.386" x 3.62"
Capacity 2138 cc
Head material C.I.
Block material C.I.
Valve head dia:
 Intake 1.56"
 Exhaust 1.30"
Induction system Two 1.75" SU or Stromberg

TRANSMISSION AND DRIVE TRAIN

Clutch Diameter: 9" or 8.75"

Gearbox

No. speeds forward: 4

Ratios:

	Std.	Alt.	Alt.	Alt.	Alt.	Alt.
1.	3.14	2.19	1.88	2.99		
2.	2.01	1.57	1.42			
3.	1.33	1.23	1.24			
4.	1.00	1.00	1.00			
5.						

Overdrive

Make & Model: Laycock

Ratio 0.821

Final Drive Ratios: 3.45, 3.7, 4.1, 4.3, 4.55, 4.87

CHASSIS

Wheelbase 88"
Track dimension, Front 53.6" or 54.6"
Track dimension, Rear 52.6" or 53.6"
Wheel diameter 15"
Rim width 6" or 7"

BRAKES

	Standard	Alternate	Alternate
Front:	11" disc		
Rear:	9" drum	9" or 10" drum	— steel or Alfin

WEIGHT & CAPACITIES

Official weight: 1919 lbs. Std. fuel tank capy: 14 gal.
32 gal. Alt.

ALTERNATE SPECIFICATIONS

Manufacturer: British Leyland
 Model: TR-8 Coupe and Convertible

Class: C

ENGINE

Manufacturer BLMi
 Type OHV — V8
 Bore x stroke 3.500" x 2.8"
 Capacity 215 CID
 Head material Alum.
 Block material Alum.
 Valve head dia:
 Intake 1.570"
 Exhaust 1.35"
 Induction system 2 — Sidedraft 1.75" Stromberg

TRANSMISSION AND DRIVE TRAIN

Clutch Diameter: 8.5"

Gearbox

No. speeds forward: 5

Ratios:

	Std.	Alt.	Alt.	Alt.	Alt.
1.	3.31	1.8			2.33
2.	2.08	1.49			1.61
3.	1.39	1.24			1.30
4.	1.00	1.00			1.00
5.	0.83	0.88	0.90	0.93	0.83

Overdrive

Make & Model: None

Ratio

Final Drive Ratios: 3.08, 3.45, 3.89, 4.55

CHASSIS

Wheelbase 85.0"
 Track dimension, Front 60.25"
 Track dimension, Rear 59.0"
 Wheel diameter 13" or 14"
 Rim width 7"

BRAKES

	Standard	Alternate	Alternate	Width
Front:	9.75" disc	10.5" vent disc	11" disc	1.1"
Rear:	9.0" drum	10.5" disc		.78"

WEIGHT & CAPACITIES

Official weight: 2136 lbs. Std. fuel tank capy: 14.4 gal.

ALTERNATE SPECIFICATIONS

Alternate brake kit — Lockheed disc, front: PN CP 2271
 Lockheed disc, rear: PN CP 2382

Alternate Induction

Manifold inlet: BL P/N V-754
 *Carburetor: Holley 4V 600 CFM
 P/N R4776 19/16 bore

Alternate Fuel Injection

V764 Mechanical fuel pump
 V766 Metering unit
 V736 Electric fuel pump
 V763 Electric fuel pump
 F.I. weight 2300 lbs. minimum

Rear spoiler V-775
 F.I. manifold V-774

*Restrictor plate. See Appendix A, Page 103

ENGINE

Manufacturer BLMi
Type OHV, 6 cyl. in line
Bore x stroke 2.94" x 3.74"
Capacity 2498 cc
Head material C.I.
Block material C.I.
Valve head dia:
 Intake 1.45"
 Exhaust 1.26"
Induction system Lucas 54730923 Fuel Injection 1.75", Lucas Mk II Pump

TRANSMISSION AND DRIVE TRAIN

Clutch Diameter: 8.5"

Gearbox

No. speeds forward: 4

Ratios:

	Std.	Alt.	Alt.	Alt.	Alt.	Alt.
1.	3.14	1.88				
2.	2.01	1.42				
3.	1.33	1.24				
4.	1.00	1.00				
5.						

Overdrive

Make & Model: Laycock "A"

Ratio 0.821

Final Drive Ratios: 3.45, 3.7, 4.1, 4.3, 4.55, 4.87

CHASSIS

Wheelbase 88.00"
Track dimension, Front 53.8"
Track dimension, Rear 53.3"
Wheel diameter 15"
Rim width 7"

BRAKES

	Standard	Alternate	Alternate
Front:	10.75" disc	11.18" vent disc	
Rear:	9.00" drum	8.75" drum	

WEIGHT & CAPACITIES

Official weight: 1905 lbs. Std. fuel tank capy: 13.5 gal.
28.5 gal. Alt.

ALTERNATE SPECIFICATIONS

Disc — C32764
Caliper — 60-12796 LH
60-12797 RH

Manufacturer: Turner
Model: 950S

Class: G

ENGINE

Manufacturer BMC
Type OHV, 4 cyl. in line
Bore x stroke 2.48" x 3.00"
Capacity 948 cc
Head material C.I.
Block material C.I.
Valve head dia:
 Intake 1.10" or 1.16"
 Exhaust 1.00"
 Introduction system Two 1.125" SU or 1.25" SU

TRANSMISSION AND DRIVE TRAIN

Clutch Diameter: 6.25"

Gearbox

No. speeds forward: 4

Ratios:

	Std.	Alt.	Alt.	Alt.	Alt.	Alt.
1.	3.63	2.25	2.57			
2.	2.37	1.67	1.72			
3.	1.41	1.23	1.26			
4.	1.00	1.00	1.00			
5.						

Overdrive

Make & Model: None

Ratio

Final Drive Ratios: 3.75, 4.22, 4.3, 4.55, 4.88, 5.12, 3.91

CHASSIS

Wheelbase 80.5"
Track dimension, Front 48.9"
Track dimension, Rear 48.2"
Wheel diameter 13" or 15"
Rim width 6"

BRAKES

	Standard	Alternate	Alternate
Front:	9" disc	drum	
Rear:	8" drum		

WEIGHT & CAPACITIES

Official weight: 1117 lbs. Std. fuel tank capy:

ALTERNATE SPECIFICATIONS

BMC MK III Transmission Case

Manufacturer: Turner
Model: 1500

Class: F

ENGINE

Manufacturer Ford
Type OHV, 4 cyl. in line
Bore x stroke 3.187" x 2.864"
Capacity 1498 cc
Head material C.I.
Block material C.I.
Valve head dia:
 Intake 1.45"
 Exhaust 1.20"
 Induction system One Weber 28/36 DCD 22

TRANSMISSION AND DRIVE TRAIN

Clutch Diameter: 7.38"

Gearbox

No. speeds forward: 4

Ratios:

	Std.	Alt.	Alt.	Alt.	Alt.	Alt.
1.	3.54	2.92	2.51			
2.	2.39	1.69	1.69			
3.	1.41	1.28	1.28			
4.	1.00	1.00	1.00			
5.						

Overdrive

Make & Model: None

Ratio

Final Drive Ratios: 3.78, 4.2, 4.5, 4.88, 5.12

CHASSIS

Wheelbase 82.0"
Track dimension, Front 48.9"
Track dimension, Rear 48.2"
Wheel diameter 13"
Rim width 5.5"

BRAKES

	Standard	Alternate	Alternate
Front:	9.0" disc		
Rear:	8.5" drum		

WEIGHT & CAPACITIES

Official weight: 1387 lbs. Std. fuel tank capy: 9 gal.

ALTERNATE SPECIFICATIONS

Hobbs mech-a-matic gearbox ratios: 1. 3.78 2. 2.32 3. 1.46 4. 1.00

Manufacturer: Grantura Engineering
Model: TVR Mk III 1622

Class: E

ENGINE

Manufacturer BMC (MG-A)
Type OHV, 4 cyl. in line
Bore x stroke 3.00" x 3.50"
Capacity 1622 cc
Head material C.I.
Block material C.I.
Valve head dia:
 Intake 1.56"
 Exhaust 1.34"
Induction system Two 1.5" SU

TRANSMISSION AND DRIVE TRAIN

Clutch Diameter: 8"

Gearbox

No. speeds forward:

Ratios:

	Std.	Alt.	Alt.	Alt.	Alt.	Alt.
1.	3.64	2.45				
2.	2.21	1.62				
3.	1.37	1.27				
4.	1.00	1.00				
5.						

Overdrive

Make & Model: Laycock

Ratio 0.802

Final Drive Ratios: 3.9, 4.1, 4.3, 4.55, 4.88, 5.1

CHASSIS

Wheelbase 85.5"
Track dimension, Front 54.6"
Track dimension, Rear 56.2"
Wheel diameter 14" or 15"
Rim width 6"

BRAKES

	Standard	Alternate	Alternate
Front:	10.75" disc		
Rear:	9.00" drum		

WEIGHT & CAPACITIES

Official weight: 1449 lbs. Std. fuel tank capy: 12 gal.
6 gal. Alt.

ALTERNATE SPECIFICATIONS

Vacuum brake booster — COMP 17

Manufacturer: Grantura Engineering
Model: TVR Mk III 1800

Class: D

ENGINE

Manufacturer BMC (MG-B)
Type OHV, 4 cyl. in line
Bore x stroke 3.16" x 3.50"
Capacity 1798 cc
Head material C.I.
Block material C.I.
Valve head dia:
 Intake 1.57"
 Exhaust 1.35"
Induction system Two 1.5" SU

TRANSMISSION AND DRIVE TRAIN

Clutch Diameter: 8"

Gearbox

No. speeds forward: 4

Ratios:

	Std.	Alt.	Alt.	Alt.	Alt.	Alt.
1.	3.64	2.45				
2.	2.21	1.62				
3.	1.37	1.27				
4.	1.00	1.00				
5.						

Overdrive

Make & Model: Laycock

Ratio 0.802

Final Drive Ratios: 3.9, 4.1, 4.3, 4.55, 4.88, 5.1

CHASSIS

Wheelbase 85.5"
Track dimension, Front 54.6"
Track dimension, Rear 56.2"
Wheel diameter 14" or 15"
Rim width 6"

BRAKES

Front:

Standard

10.75" disc

Alternate

Alternate

Rear:

9.00" drum

WEIGHT & CAPACITIES

Official weight: 1449 lbs. Std. fuel tank capy: 12 gal.
6 gal. Alt.

ALTERNATE SPECIFICATIONS

Vacuum brake booster — COMP 17

Manufacturer: Volvo
Model: P-1800, 1800 S, 1800 E, 1800 ES Sports Coupe

Class: F

ENGINE

Manufacturer Volvo
Type OHV, 4 cyl. in line
Bore x stroke 3.313" x 3.15" or 3.50" x 3.15"
Capacity 1780 cc or 121 cu. in.
Head material C.I.
Block material C.I.
Valve head dia:
 Intake 1.57" x 1.65" or 1.73"
 Exhaust 1.38"
 Induction system Two 1.75" SU or two Stromberg CDSE 1.75" or two 1.75" SU HS 6 or Bosch electronic F.I.

TRANSMISSION AND DRIVE TRAIN

Clutch Diameter: 8.5"

Gearbox

No. speeds forward: 4

Ratios:

	Std.	Alt.	Alt.	Alt.	Alt.	Alt.
1.	3.13	2.62	3.14			
2.	1.99	1.67	1.97			
3.	1.36	1.24	1.34			
4.	1.00	1.00	1.00			
5.						

Overdrive

Make & Model: Laycock

Ratio 0.756 or 7.97

Final Drive Ratios: 4.1, 4.56, 4.88, 4.3, 5.38, 3.91

CHASSIS

Wheelbase 96.5"
Track dimension, Front 55.4"
Track dimension, Rear 55.4"
Wheel diameter 15"
Rim width 7"

BRAKES

	Standard	Alternate	Alternate
Front:	11" disc	10.7" disc	
Rear:	9" drum	11.6" disc	

WEIGHT & CAPACITIES

Official weight: 2168 lbs. Std. fuel tank capy: 12 gal.
24 gal. Alt.

ALTERNATE SPECIFICATIONS

Manufacturer: Yenko Sportscars
Model: Stinger Coupe

Class: D

ENGINE

Manufacturer Chevrolet
Type OHV, 6 cyl. opposed
Bore x stroke 3.44" x 2.94"
Capacity 164 cu. in.
Head material Alum.
Block material Alum.
Valve head dia:
 Intake 1.72"
 Exhaust 1.36"
 Induction system Four Rochester 7025023 and 7026026 1 bbl. 1.5"

TRANSMISSION AND DRIVE TRAIN

Clutch Diameter: 9.12"

Gearbox

No. speeds forward: 4

Ratios:

	Std.	Alt.	Alt.	Alt.	Alt.	Alt.
1.	3.11	2.54				
2.	2.20	1.80				
3.	1.47	1.32				
4.	1.00	1.00				
5.						

Overdrive

Make & Model: None

Ratio

Final Drive Ratios: 3.27, 3.55, 3.89

CHASSIS

Wheelbase 108"
Track dimension, Front 58.7"
Track dimension, Rear 60.9"
Wheel diameter 13", 14"
Rim width 7"

BRAKES

	Standard	Alternate	Alternate
Front:	9.5" drum	Disc 10.6" x 1.0"	
Rear:	9.5" drum	Disc 10.6" x 1.0"	

WEIGHT & CAPACITIES

Official weight: 2045 lbs. Std. fuel tank capy: 14 gal.
28 gal. Alt. 10 gal. Alt.

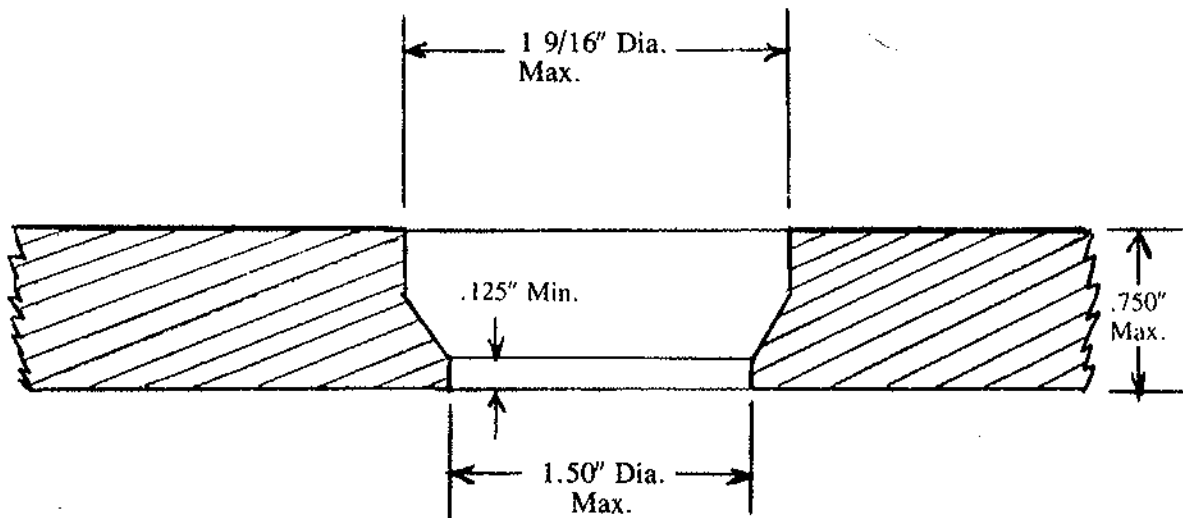
ALTERNATE SPECIFICATIONS

Delco moraine power brakes
Front disc brakes from 1967-69 Camaro

APPENDIX A

Throttle Restrictor Plate Aluminum Plate Max. Thickness .750"

1.50" restrictor hole must be maintained for
a depth of .125" min.



Relief Angles to Clear Butterfly Are Free.

